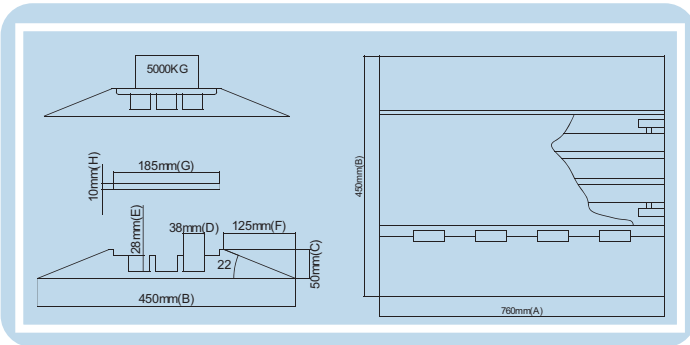


# CABLE CROSSOVER

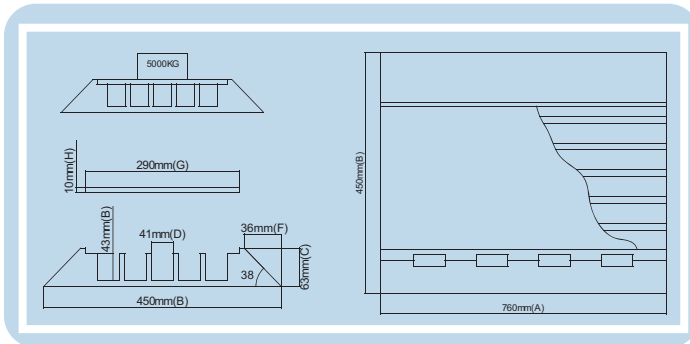
The cable crossover is the cable protector that protects cables from moisture, oils and solvents, and is high impact and load bearing. The standard KUPO cable crossover is 3 cable ducts and 5 cable ducts made from high density pressure moulded latex, back with highly visible orange lid. Each cable crossover has interlocking ends that can be connected to create any desired length. Easy to operation and protect a cable across an average interior doorway. The load bearing capacity is 5,000KG.



### KCG-301 3 CABLE DUCTS

Insulated: YES  
 Operating Temp.: -40°F to +120°F  
 (-40°C to +49°C)

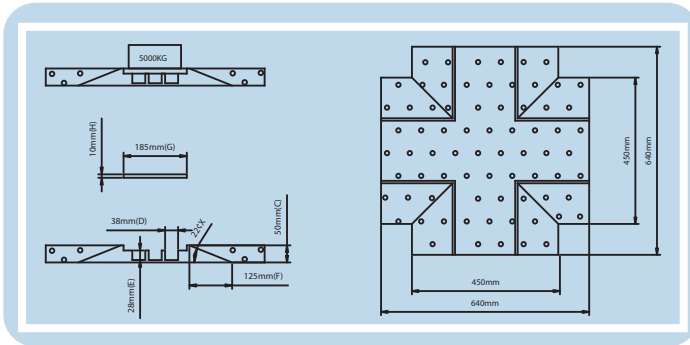
Length: 76cm  
 Width: 45cm  
 Height: 5cm  
 Ducts Height: 2.8cm  
 Max. Load: 5000KG



### KCG-501 5 CABLE DUCTS

Insulated: YES  
 Operating Temp.: -40°F to +120°F  
 (-40°C to +49°C)

Length: 76cm  
 Width: 45cm  
 Height: 6.3cm  
 Ducts Height: 2.8cm  
 Max. Load: 5000KG



### KCG-311 3 CABLE DUCTS (CROSS)

Insulated: YES  
 Operating Temp.: -40°F to +120°F  
 (-40°C to +49°C)

Length: 64cm  
 Width: 64cm  
 Height: 5cm  
 Max. Load: 5000KG



KCG-301



KCG-501



KCG-311



modular interlocking system

